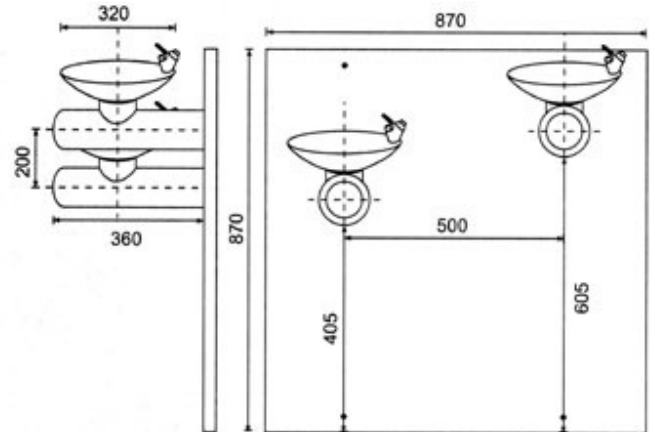


CJ-316: 2 round basins wall mounted type drinking fountain.

CJ-316 photo:



CJ-316 dimension:



Product characteristics:

- Unique design for drinking fountain in public place.
- All the structures and panels are made by stainless steel, which are durable and never rusty.
- The standard bubblers are top-press bubblers.
- CJ-316 can be connected with CJ-318 (cooling system) to offer cold water.