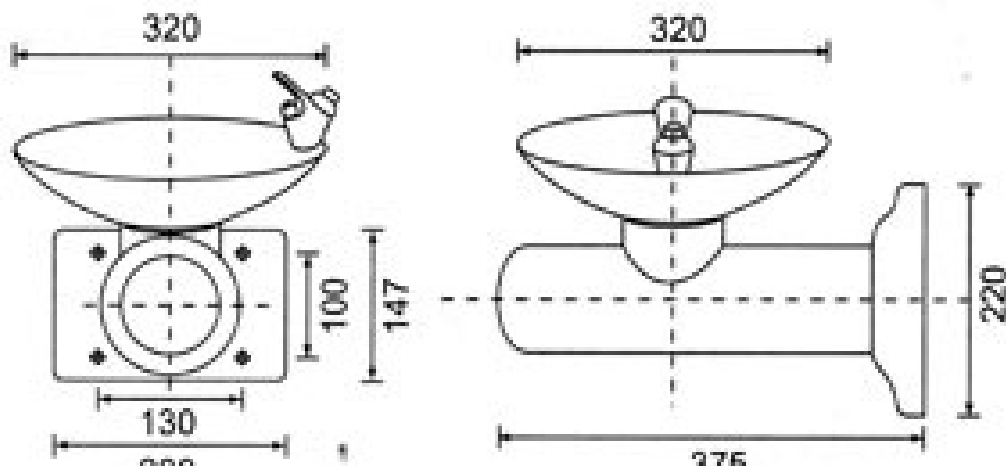


## CJ-315: 1 round basin wall mounted type drinking fountain



### CJ-315 (top-press bubbler) dimension



### Product characteristics:

- Unique design for drinking fountain in public place.
- All the structures are made by stainless steel, which are durable and never rusty.
- The standard bubbler is top-press bubbler
- CJ-315 can be connected with CJ-318 (cooling system) to offer cold water.