

CJ-312 series: 1 round basin 1 glass filler stand type drinking fountains.

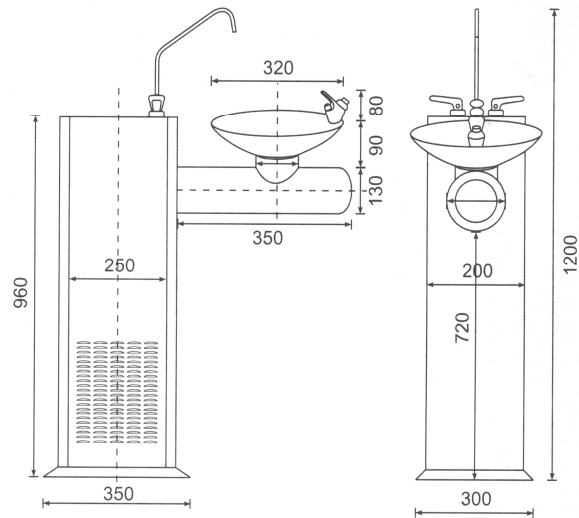
CJ-312: Normal water 1 round basin 1 glass filler stand type drinking fountain.

CJ-312-1: Hot & cold water 1 round basin 1 glass filler stand type drinking fountain.

CJ-312 series photo:



CJ-312 series dimension:



Product characteristics:

- Unique design for drinking fountain in public place.
- All the structures and panels are made by stainless steel, which are durable and never rusty.
- Filters are optional (CJ-312: Filters can be built inside, CJ-312-1: Filters can be mounted on the back.).
- CJ-312-1 is with heating and cooling system which can offer hot and cold water (hot tank capacity: 4L / cold tank capacity: 2.2L).
- The standard bubbler is top-press bubbler. But you can choose to change to front-press bubbler (The push button of the bubbler is on the front.).